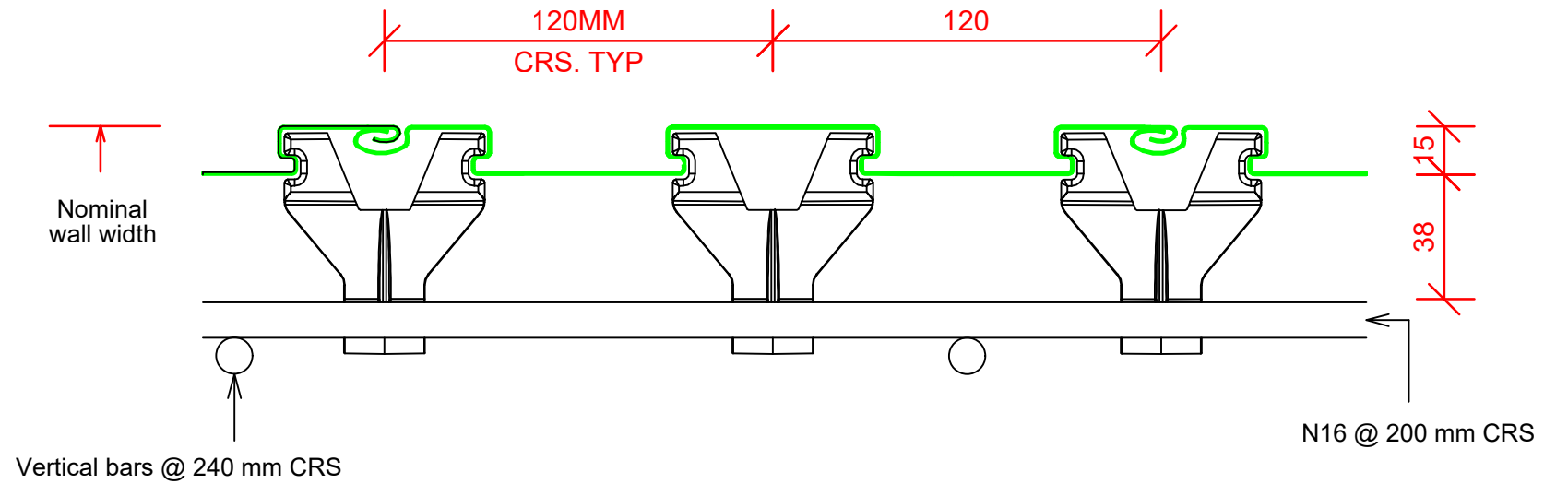
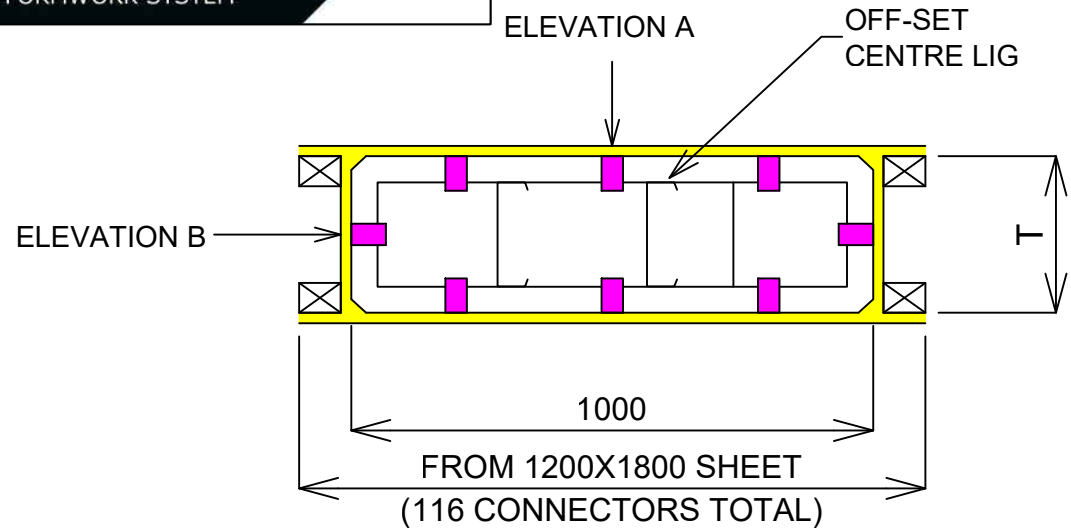
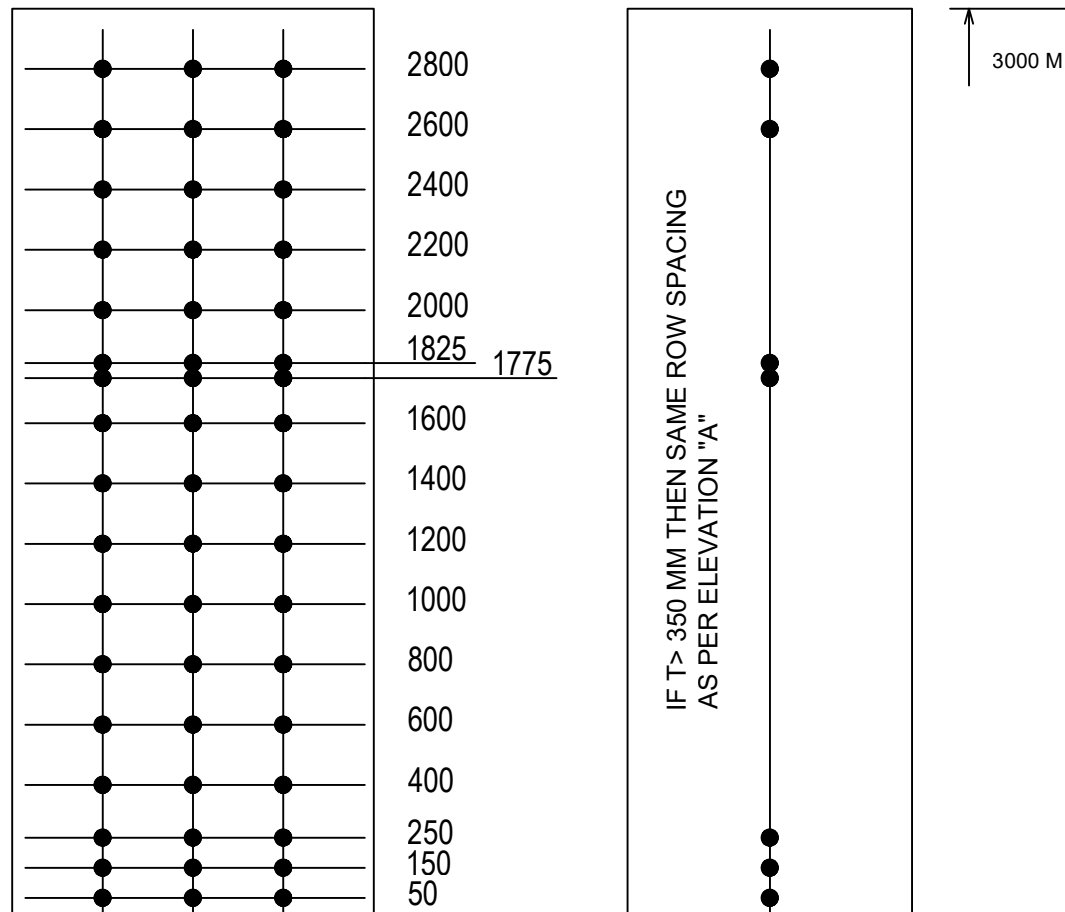




OZWALL AUSTRALIA FABRICATION DETAILS

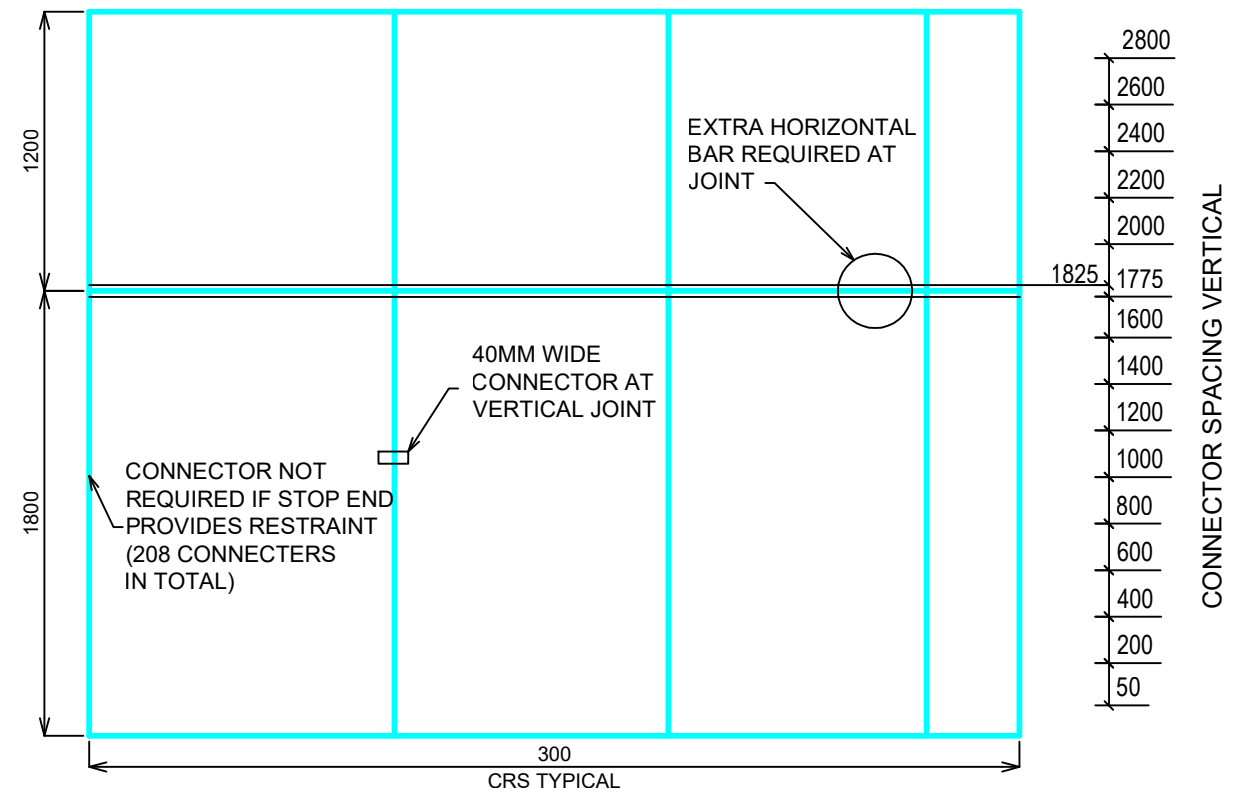


T-CLIP Metal



ELEVATION A

ELEVATION B



T-CONNECTOR SPACING

WALL 4.0M LONG X 3.0M HEIGHT
FORMPLY SHEETS 1800X1200

g.wyett@ozwall.com.au
M : 0405 144 886

SCALE	DRAWN BY:	CURRENT REV:
AS NOTED	JP	
TITLE		
FABRICATION DETAILS		
DRAWING ID:		
F-01		
REV.	DATE	DESCRIPTION
	NOV. 2020	