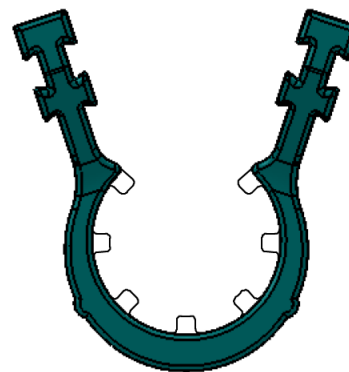
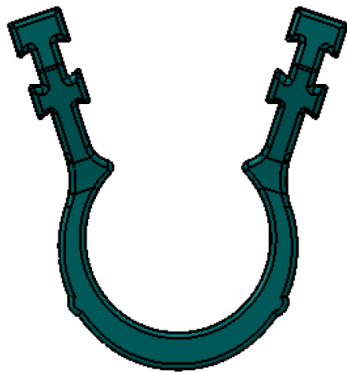
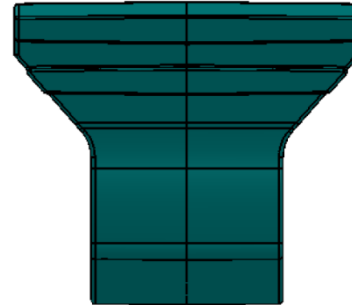
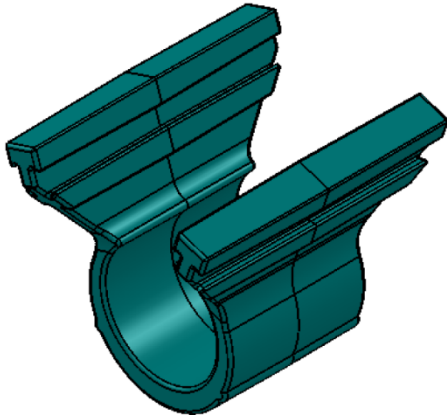


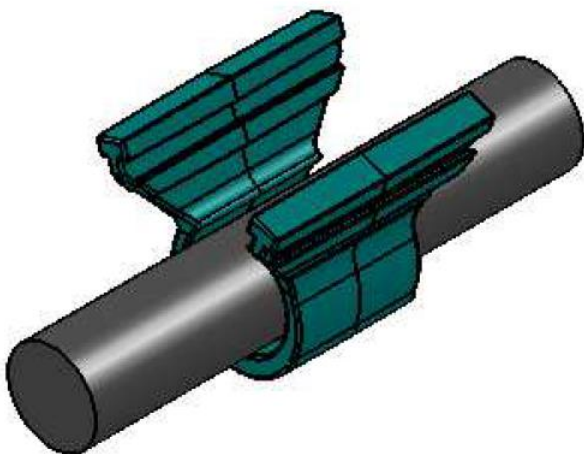
T-CONNECTOR

OZWALL

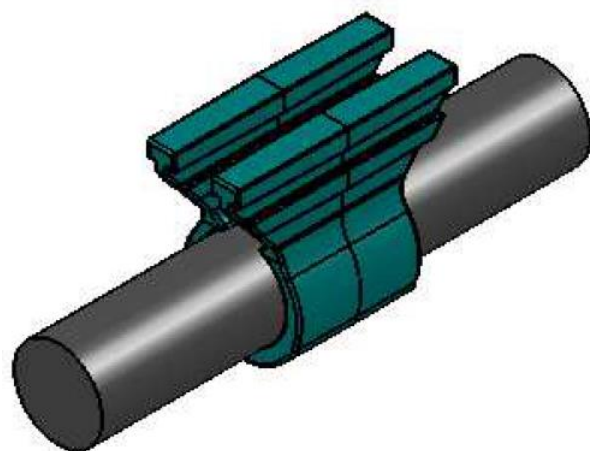
PREFABRICATED VERTICAL
FORMWORK SYSTEM



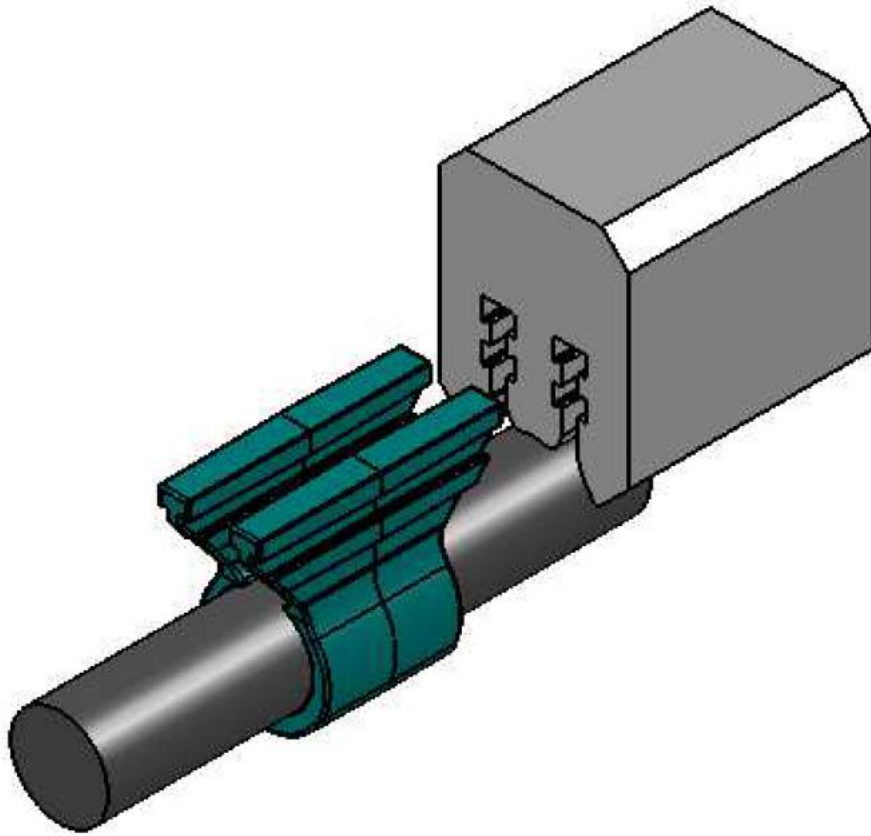
Suits N16 Horizontal



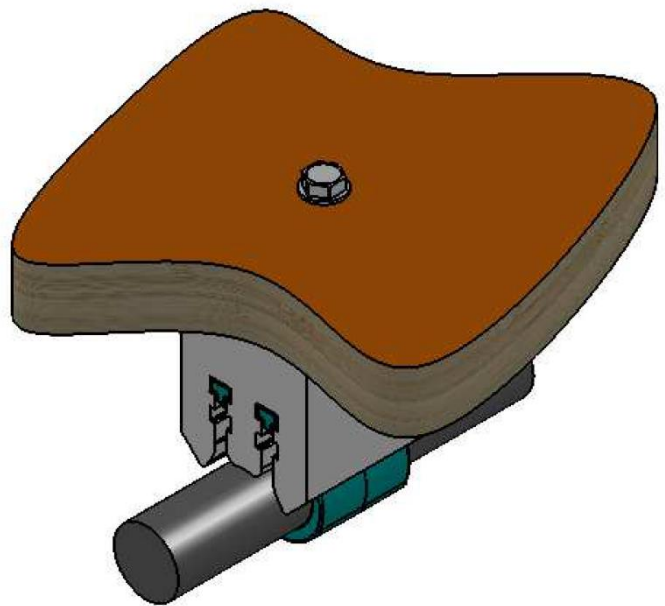
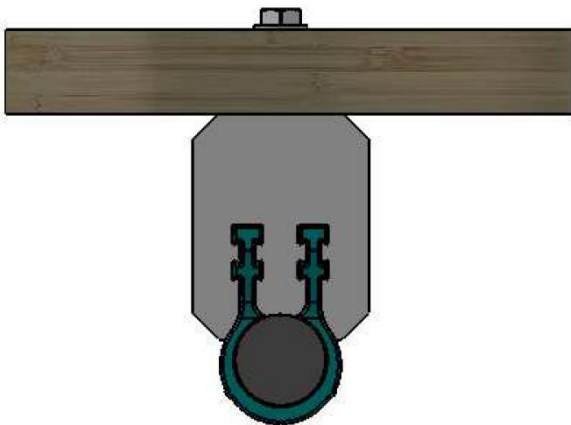
Suits N12/N10



Attach Bottom part to wall bar or column ligature



Slide top part and lock connector in position



Drill hole through formply into Connector

Drive Hex Head type 17 Screw through formply and then remove after concrete filling